



IM 300

Anchoring mass

NEW



EN 795:2012

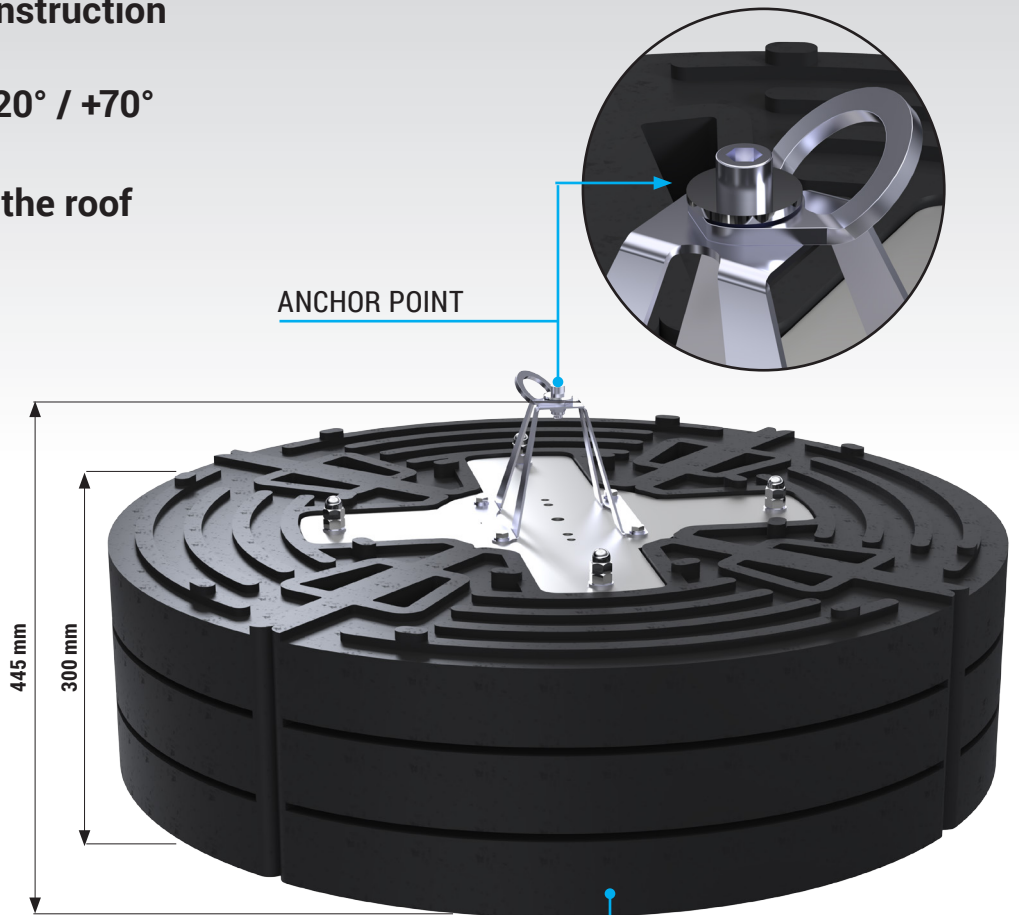
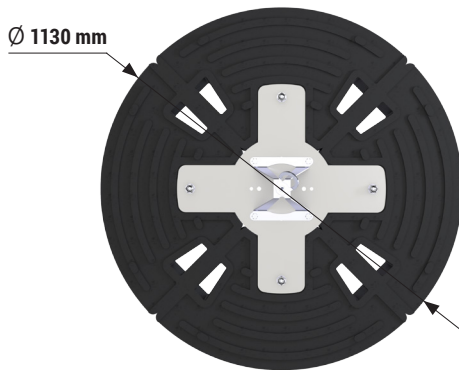
The IM 300 device is a portable anchor point for use on a flat roof with adequate load bearing capacity. It consists of 12 elements (rubber weights) and an anchor point.



Stable and robust construction

Weather resistance -20° / +70°

Quick installation on the roof



PARAMETERS

| | |
|--------------------------------------|--------|
| Total weight: | 270 kg |
| Mass of one weight: | 22 kg |
| Weight of post and connecting plate: | 9 kg |

Material: weight - recycled plastic
post - stainless steel