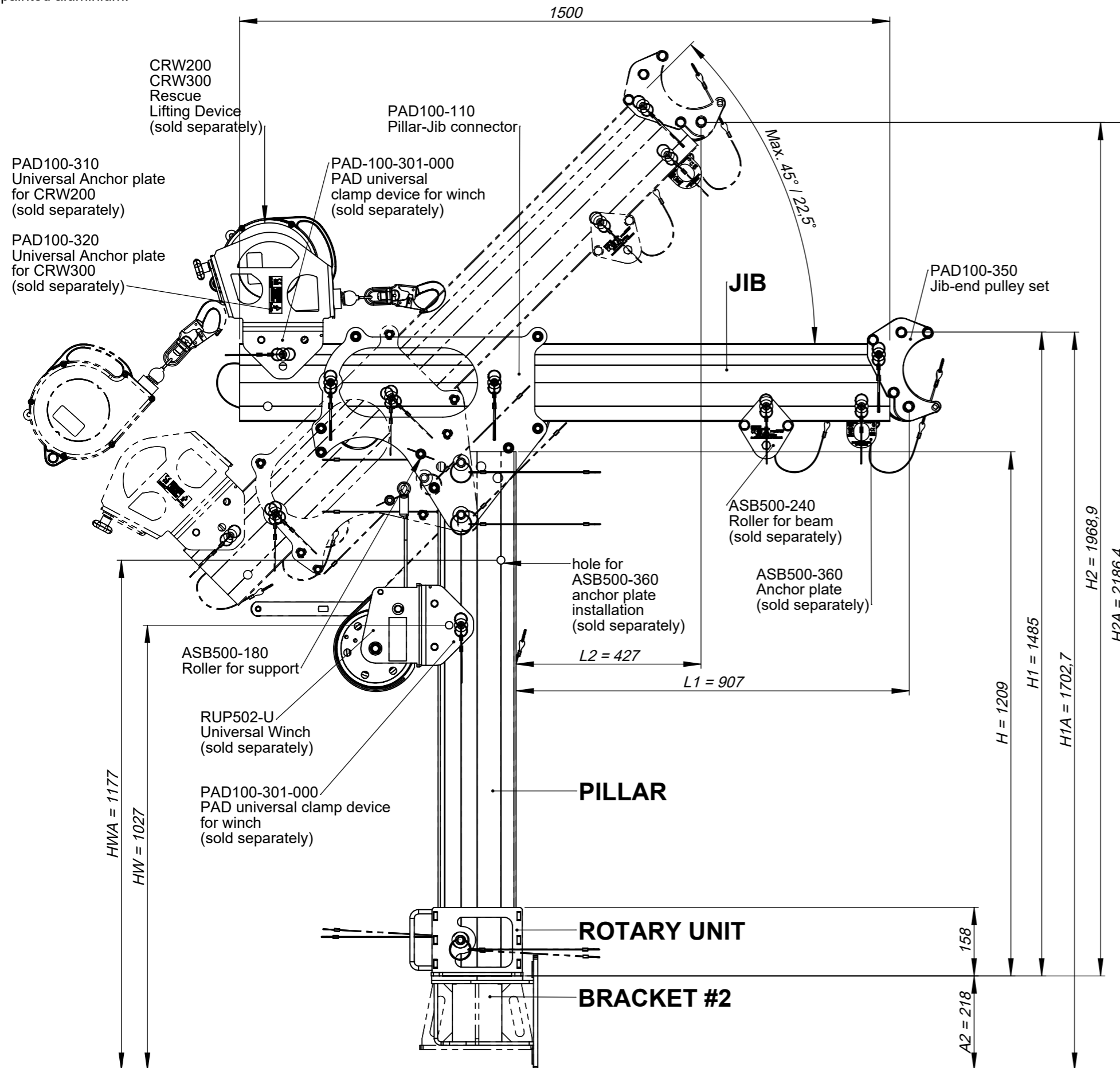


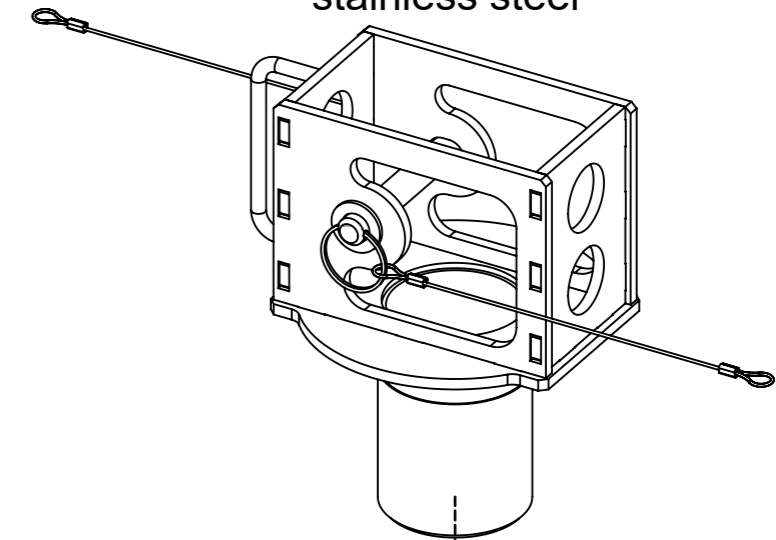
DESCRIPTION

PAD - Portable Aluminium Davit Arm System is lightweight, fully modular lifting and lowering device. Can be used for lifting loads up to 500kg (indicated on Jib) or for personal protection up to three people at the same time or for personal rescue operations using RUP502 / CRW200 rescue lifting devices (up to 140kg). PAD device is made of reinforced anodized/powder-painted aluminium.



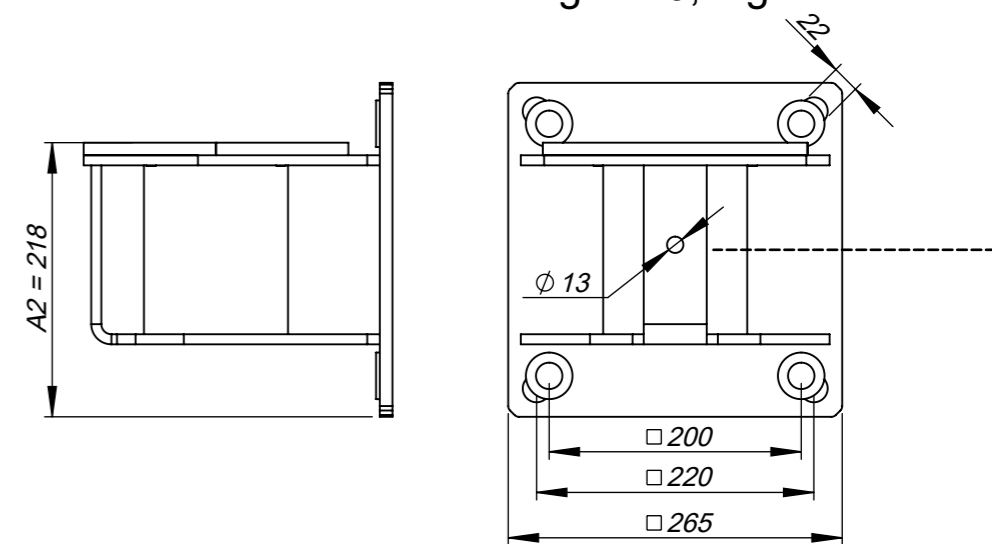
**PAD ROTARY UNIT
PAD100-120-000**

Used with brackets: #2, #3
Net weight: 8,1kg
stainless steel



**BRACKET #2
PSD100-520-000
WALL MOUNTING**

Made of stainless steel
Use with M20 anchor bolts.
Net weight: 10,7kg



PARAMETERS	
Working Load Limit (WLL) for lifting loads	500kg
Working Load Limit (WLL) for personal protection	140kg
Personal protection at the same time	3 people
weight of fully equipped PAD device RUP502 / CRW200	77kg